

HINGE
SERIES

D HINGE

D HINGE

Perfect motion for every single space

Integration of Technology and Aesthetics



- Thanks to the perfect concealed symmetry design, the cabinet space looks clear and elegant.
- The integrated damping system with 3D adjustment function provides silent and gentle door closing.
- Designed with compact size, D hinge is ideal for kitchen, wardrobe, bathroom and cocktail cabinet design.



Quietness



Intelligence



Durability



Eco-Friendliness

D HINGE

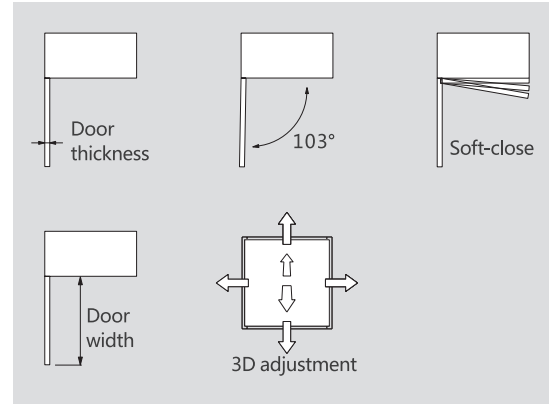
D HINGE Series Soft-close Hinges

PRODUCT



DESCRIPTION

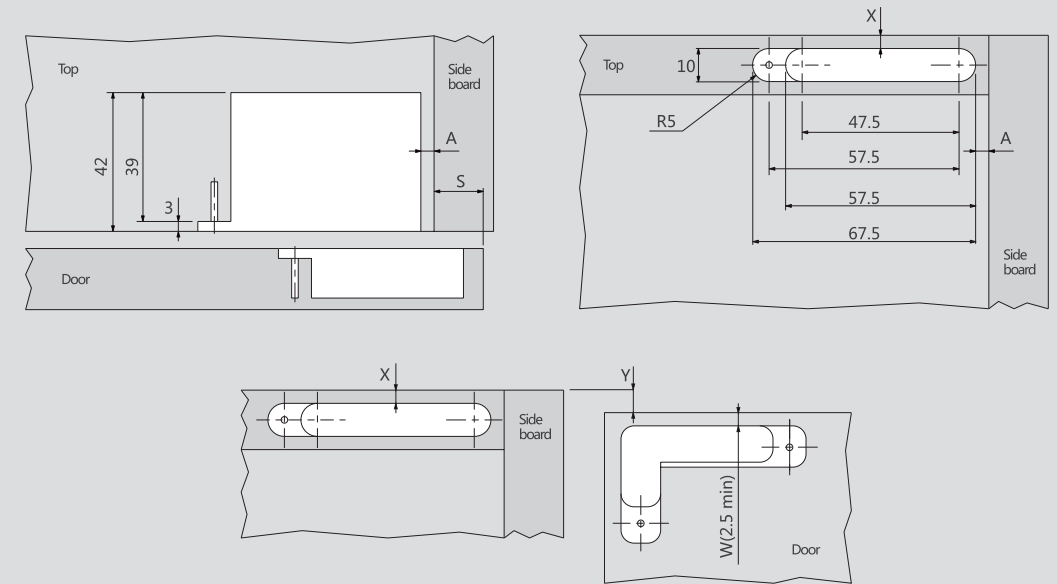
- Range of door thickness: 18-32mm
- Soft-close
- Opening angle: 103°
- Side, height and depth adjustment
- Maximum door width: 600mm



ORDER INFORMATION

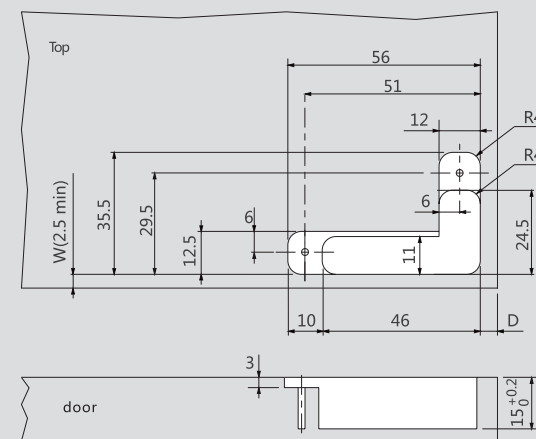
Cabinet drilling dimension

$$A = (17+D)-S \quad Y = X-W \quad W = X-Y \quad X = W+Y$$

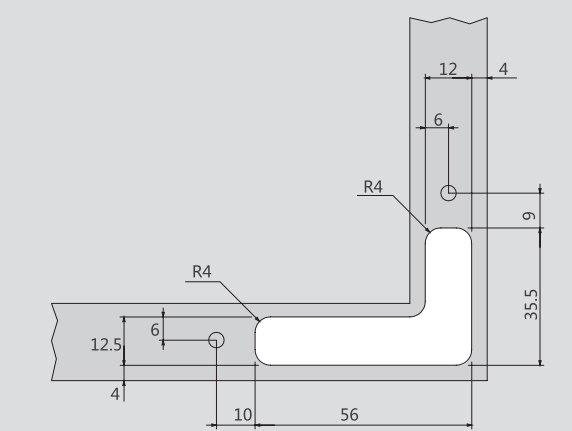


Cabinet drilling dimension

Wooden door drilling dimension



Aluminum door drilling dimension



Cover

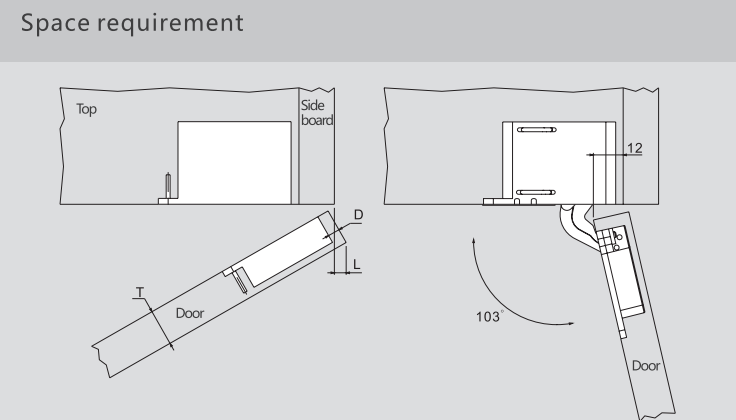


Fixing-brackets for Alu frame door

	D HINGE Black/ Nickel	
	Item No.	Set/ctn
	TD00RL	100

	Fixing Bracket	
	Item No.	Set/ctn
	LK14-RL	100

	Plastic Cover Black	
	Item No.	Set/ctn
	LK13	100



	T=18	T=20	T=22	T=24	T=26	T=28	T=30	T=32
L(D=3)	-	0.2	0.5	0.9	1.4	2.1	3.1	4.7
L(D=4)	-	0.2	0.5	0.9	1.4	2	2.9	4.2
L(D=5)	-	0.2	0.5	0.8	1.3	2	2.8	3.9
L(D=6)	-	0.2	0.5	0.8	1.3	1.9	2.7	3.7

Adjustment

